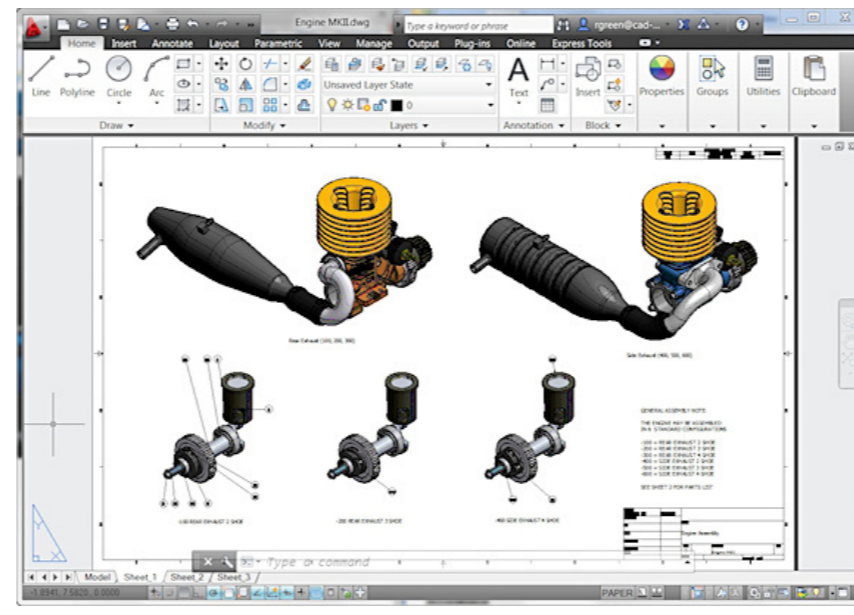


**AutoCAD Mechanical 2005 32 Bit Crack Torrent Download**



DOWNLOAD: <https://tumblr.com/28oxvl>



Downloads
Rating
File
Size

49fd4f91c7

Related links:

- [Housefull 2 Movie Download Filmywap Movies](#)
- [SignCut Productivity Pro V1.07 \(WinALL\) \[patch\]](#)
- [Journey To The Center Of The Earth Hindi Dubbed Movie Free 61](#)
- [Windows 10 Enterprise LTSC 2019 X64 MULTI-24 DEC 2018 \[Gen2\] crack](#)
- [Ott Discography 20022008.FLAC](#)

**Download**